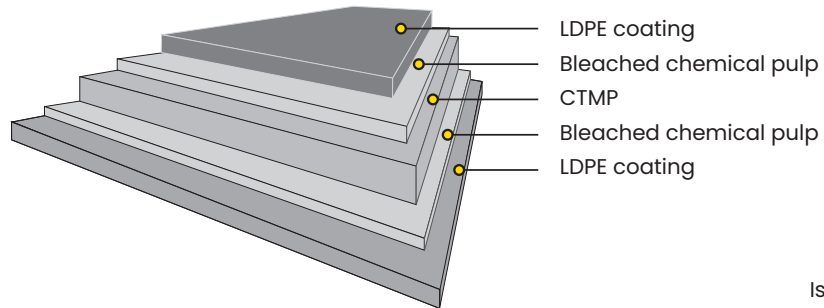


Foodbox 2PE

Uncoated bleached board with PE coating

Foodbox 2PE is an uncoated folding boxboard with a three-layer fibre construction, with two outer layers made of bleached sulphate pulp and a middle layer made of CTMP (chemi-thermo-mechanical pulp). Its top and reverse sides are LDPE coated.



Issued: 12.2025
Replaces: 05.2024

Technical specification

Property	Unit	Tolerance	12+233+15	12+257+15	12+273+15	12+288+15	12+350+15	Standard
Barrier coated board:								
Grammage	g/m ²		260	284	300	315	377	ISO 536
Polymer, Top	g/m ²		12	12	12	12	12	Mill method
Polymer, Reverse	g/m ²		15	15	15	15	15	Mill method
Thickness	µm		422	470	485	525	600	ISO 534
Baseboard:								
Grammage	g/m ²	±6%	233	257	273	288	350	ISO 536
Thickness	µm	±6%	402	450	465	505	580	ISO 534
Bending resistance L&W 15° MD	mN	min -25%	415	580	635	760	1080	ISO 2493
Bending resistance L&W 15° CD	mN	min -25%	162	223	242	303	410	ISO 2493
Bending moment Taber 15° MD	mNm	min -25%	20.0	28.0	30.7	36.7	52.2	
Bending moment Taber 15° CD	mNm	min -25%	7.8	10.8	11.7	14.6	19.8	
Bending stiffness DIN 5° MD	mNm		35.3	49.3	54.0	64.6	91.8	
Bending stiffness DIN 5° CD	mNm		13.8	19.0	20.6	25.8	34.9	
ISO Brightness D65/10°, Top	%	min 73	78	78	78	78	78	ISO 2470-2
Surface Smoothness Bendtsen	ml/min	max 700	350	350	350	400	400	ISO 8791-2

OBA free

Foodbox 2PE

Uncoated bleached board with PE coating

Certificates

Energy management ISO 50001
Occupational health and safety ISO 45001
Food safety FSSC 22000
Environmental management ISO 14001
Quality management ISO 9001



FSC and PEFC certified board available upon request.



Paperboard can be recycled

Key characteristics and main enduses

Foodbox 2PE is designed for multiple end uses like bakery products, dry and chilled food and food on-the-go. Foodbox 2PE baseboard is made with renewable materials. Foodbox 2PE is an uncoated folding boxboard compliant with EU and FDA food contact material legislation, which makes it well suitable for packaging food products. Foodbox 2PE is also free from optical brightening agents (OBA-free). It is a stiff, yet light material due to its multilayer construction. It provides product protection, as well as good performance in printing, converting and filling processes.

Storage recommendations

For optimal printing results, the moisture proof wrapping should not be removed until the board has reached the temperature of the press room.

Pallet/Reel Weight (kg)	Difference in temperature between board and press room (press room temp. approx. 20°C)		
	10°C	20°C	30°C
400 kg	2 days	2 days	3 days
800 kg	2 days	3 days	4 days
1200 kg	2 days	4 days	5 days

The product properties, according to the specifications, are guaranteed for 12 months after the production date. In order to ensure product safety, the product must be well wrapped and stored in its original cover indoors, sheltered from rain and snow. The recommended storage conditions are 50–55% relative humidity and 20–23°C.

For the Corona treatment, we recommend using the board within 12 months of the production date; after this period, the treatment level should be tested before printing or gluing.